



TRANSMISSOR DE PRESSÃO SATP20

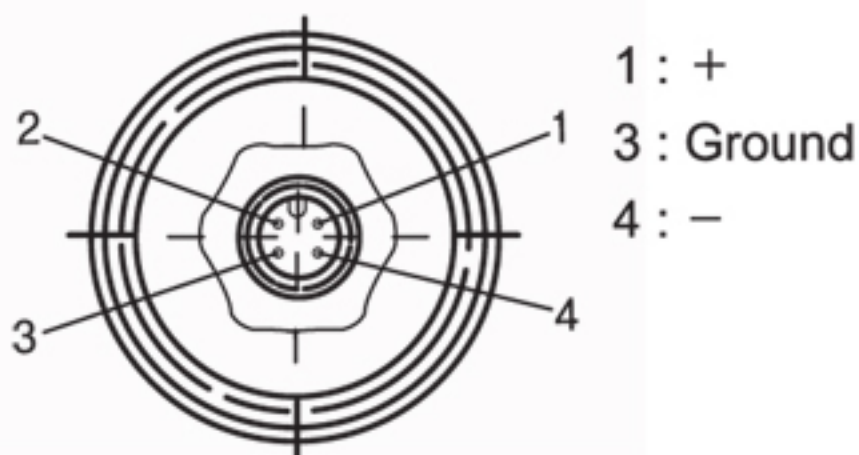
SALCAS



Transmissor de pressão série SATPS20, diafragma de aço inoxidável perfilhado. Precisos e confiáveis medem uma ampla gama de escalas de pressão. O desempenho mais confiável e estável:
ampla variação de opções que irão satisfazer todas as suas necessidades em qualquer lugar que você necessite.

CARACTERÍSTICAS

- *Medição de pressão de ar, óleo, água, etc*
- *Diafragma de aço inoxidável adotado para características de temperatura*
- *DC saída 4-20mA transmissão por 2 fios*
- *Faixa de medição: -760mmHg ~ 0 a 30kg/cm² A, 0 ~ 0,2 a 350kg/cm² G, 0 ~ 1,0 a 30kg/cm² Abs*
- *Sobrepresão admissível: 300% do valor máximo.*
- *Fonte de alimentação: 15V ~ 35VDC*
- *Saída: 4 ~ 20 mA DC*
- *Resistência de carga: máx. 600Ω*
- *Consumo de energia: 0.5W*
- *Precisão: ± 0,3% FS (incluindo linearidade, histerese, repetibilidade)*
- *Característica de temperatura*
 - *ZERO: ± 0,03% F.S*
 - *SPAN: ± F.S 0,03% (25 °C STD)*
- *Peso: Aprox. 320g*



| Connector Cable Type | |
|----------------------|--------|
| L type | I type |
| | |

Features

- For measuring pneumatic, hydraulic and oil pressure measuring
- A variety of model according to field application
 - Head type
 - Din connector type
 - Connector cable type (I type, L type)
- Stainless steel diaphragm adopted for the characteristics of temperature
- 4-20mA transmission output by 2-wire

Ordering Codes

| ② Pressure Type | | Description | |
|---|--|----------------------|---|
| G | | Gauge Pressure | ① Pressure Transmitter |
| A | | Absolute Pressure | ② Pressure Type |
| ③ Type | | ③ Connector Type | |
| 1 | | Head Type | ④ Pressure range |
| ※ Cable selection 2M, 5M (Separate goods) | | 2 | Din Connector Type |
| | | 3 | Connector Cable Type |
| ④ Range | | ⑤ Process Connection | |
| ※ mark is possible for absolute pressure | | 1 | 0 - 0.2 kgf/cm ² C 0 - 200 kgf/cm ² |
| | | 2 | 0 - 0.5 kgf/cm ² F 0 - 300 kgf/cm ² |
| | | 3 | * 0 - 1 kgf/cm ² H 0 - 350 kgf/cm ² |
| | | 4 | * 0 - 2 kgf/cm ² M -760mmHg - 0 kgf/cm ² |
| | | 5 | * 0 - 5 kgf/cm ² O -760mmHg - 1 kgf/cm ² |
| | | 6 | * 0 - 10 kgf/cm ² Q -760mmHg - 5 kgf/cm ² |
| | | 7 | * 0 - 20 kgf/cm ² V -760mmHg - 10 kgf/cm ² |
| | | 8 | * 0 - 30 kgf/cm ² X -760mmHg - 20 kgf/cm ² |
| | | 9 | 0 - 50 kgf/cm ² Y -760mmHg - 30 kgf/cm ² |
| | | A | 0 - 100 kgf/cm ² Z Others |
| ⑤ Process Connection | | F8 | PF 3/8" (Standard) ※ In case of ordering only cable, code shall be 'TPS2I', 'TPS2L', 'TPS5I', 'TPS5L', etc. |
| | | ZZ | Others |
| Option (Connector cable) | | 00 | None |
| | | 2I | "I"Type 2M |
| | | 2L | "L"Type 2M |
| | | 5I | "I"Type 5M |
| | | 5L | "L"Type 5M |

CE



Specifications

| | | |
|----------------------------|---|--|
| Measuring range | -760mmHg ~ 0 to 30 Kg/cm ² A (Compound pressure) 0~0.2 to 350 Kg/cm ² G (Gauge pressure) 0~1.0 to 30 Kg/cm ² Abs (Absolute pressure) | |
| Allowable over pressure | 300% of max. Span | |
| Electric characteristic | Power supply | 15-35VDC |
| | Output | 4-20mA DC |
| | Load resistance | 600Ω Max |
| | Consumption power | 0.5W |
| | ±0.3% F.S.(Linearity, Hysteresis, Repeatability) | |
| Accuracy | Linearity | ±0.3% F.S -10~50℃±0.3% F.S 50~70℃±0.5% F.S(except for -10~50℃) |
| | Hysteresis | ±0.3% F.S |
| Using temp. / Humidity | -10~70℃, 5~95%RH | |
| Temperature Characteristic | Zero | ±0.03%F.S |
| | Span | ±0.03%F.S (25℃ STD.) |
| Response time | Less 100mS | |
| Connection | PF 3/8(STD.) | |
| Material | Element | Diaphragm : SUS 316 Sealing : SUS 316 |
| | Case | O-ring : Fluorine rubber Connection : SUS316 |
| Range | Refer to Range table | |
| Case protection | Weatherproof | |
| Weight | Approx. 320g (Head type STD.) | |

Dimensions

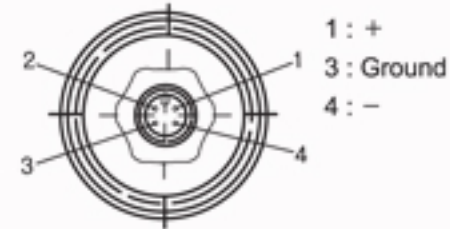
* Above connection is standard type (PF 3/8).

(Unit : mm)

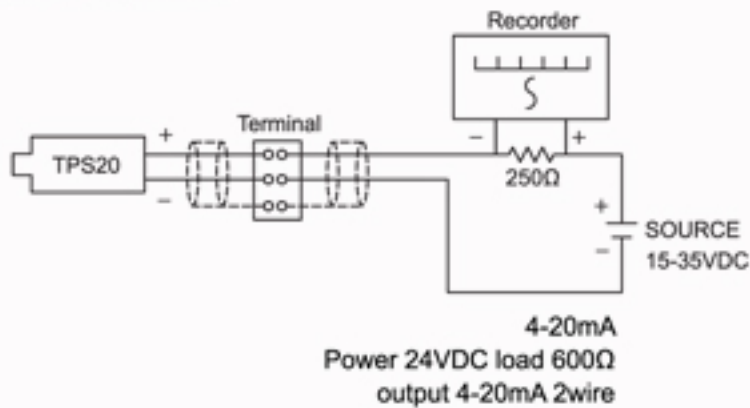
| Head Type | DIN Connector Type | Connector Cable Type | |
|-----------|--------------------|----------------------|--------|
| | | L type | I type |
| | | | |

Connections

• Connector Cable Type



• External connections



Mounting / Transportation / Storage / Repair

- **Mounting** : When mounting this unit to pressure line, please use hexagon of connector instead of pipe wrench.
Please do not use it where sharp vibration occurs.
 - **Transportation** : As precision instrument, because drop or shock may cause mechanical trouble, please be careful during transportation.
 - **Storage** : Please store it in the place without moisture, dust, vibration.
 - **Repair** : This unit is unnecessary for repair because detector has not the operating parts.
Internal parts are usually clean but it shall need repair according to the using condition.
Regular repair cycle should be done every year. In this case, please check as following clause.
 - * Please check external connector damages.
 - * Please check pressure connector, internal cleanness, corrosion.
 - * After short circuit, please check isolated resistance between case and power supply.
 - * Please check Zero/Span and linearity by using standard pressure equipment.
- ※ In case of disconnecting sensor in order for repair / check, please operate as follows.
- (a) Please replace the used O-Ring.
 - (b) Please be care of sensor diaphragm element in order to avoid from damages.

Diagnosis defect

| Error situation | Diagnosis Clause |
|--|--|
| It is not outputting. | Does it power on? Is wiring (+,-) correct? Is not connection defective? |
| Output is strangely fluctuating. | Is power normally supplied? Is pressure correctly supplied? Is there any problem in pressure line? |
| Output value of zero point is largely different. | Is power normally supplied? Is load resistance of receiving instrument in excess of 600Ω? How about the transmitting distance to measuring point? Is the line resistance large? (Max. 600Ω) |